



SERIES "MR5KP" "5-WAY" PNEUMATIC MASTER RELAY

OPERATION

The BWB "MR5KP" is a 5-way, pilot operated, manual reset relay with manual lockout assembly and pull knob. It is designed to make a double acting actuator operate as though it were a fail-safe actuator.

Example: Pressure to open and pressure to close the actuator.

"Fail Last" position is the key term here.

"Fail Safe" is applicable in most all cases.

This relay must be manually pulled to operate and does require instrument pressure to hold the relay in service which will release the lockout pin if placed in the lockout position thus arming the relay for shutdown.

Loss of instrument pressure will shift the relay back to shelf position to perform the designated task of open or closing the actuator.
 When a 5-way relay has been designed to fit in the Master Relay category, special attention must be maintained for use of such relays and actuators.

See logic drawings below for an example of proper use.

FEATURES

- 316 Stainless Steel Materials
- 100 PSI (6.89 bar) MAWP Pilot Pressure
- 200 PSI (13.79 bar) MAWP Thru Pressure
- 1/4" FNPT Threaded Ports

SERVICE CLASSIFICATION

Standard service: Viton O-rings
 Temperature range: -15 to 250°F
 Special Service: O Ring compounds to Customer Requirements

PANEL MOUNT

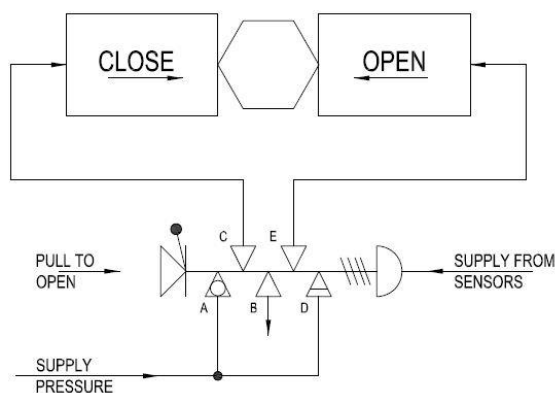
1-3/8" (34.93 mm) Diameter Hole
 Maximum Panel Thickness, 0.25 Inches (6mm)

WEIGHTS

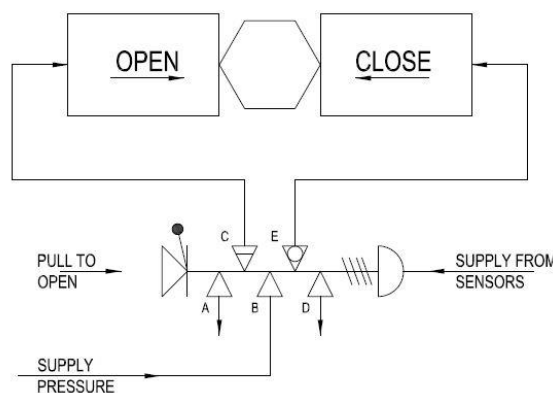
MR5KP – 3 POUNDS



LOGIC EXAMPLE #1



LOGIC EXAMPLE #2





INSTALLATION

PORT 'A'

Supply Inlet
 30-200 PSI (2.06-13.79 Bar)
 Normally Open

PORT 'B'

Exhaust Port

PORT 'C'

Supply Outlet

PORT 'D'

Supply Inlet
 30-200 PSI (2.06-13.79 Bar)
 Normally Closed

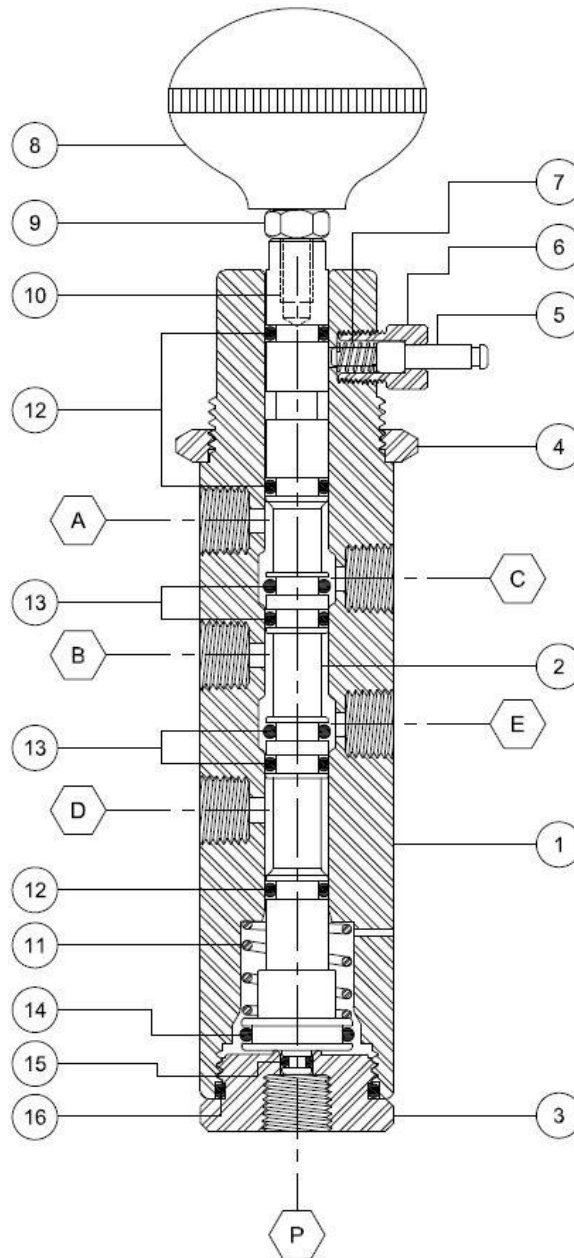
PORT 'E'

Supply Outlet

PORT 'P'

Pilot Port
 40-100 PSI (2.76-6.89 Bar)

FIGURE 1-1



ITEM	DESCRIPTION
1	BODY
2	SPOOL
3	CAP
4	PANEL NUT
5	BYPASS PIN
6	BYPASS BODY
7	BYPASS SPRING
8	KNOB
9	NUT
10	SET SCREW
11	RELAY SPRING
12	O-RING
13	O-RING 90D
14	O-RING
15	O-RING
16	O-RING

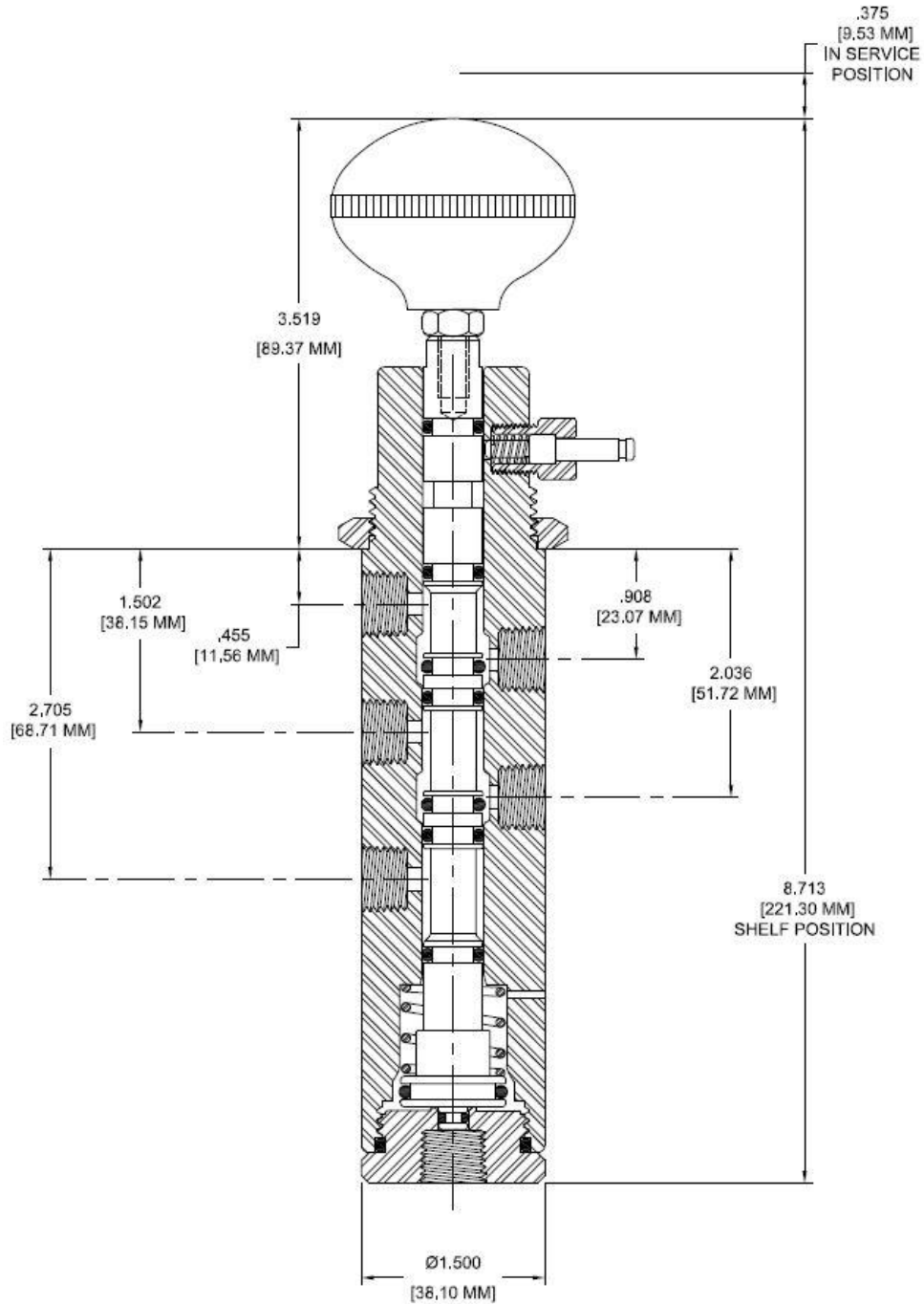
REPAIR KIT(S):
 CONTAINS ALL SEALS



BWB Controls
Telephone (985)-876-4117
info@bwcontrols.com
ISO 9001 Certified



MR5KP DIMENSIONS



Please note that Warranty and Repair Kit information on BWB Products are located on our website

Designed and Manufactured using Safe Engineering Practices

16 February 2012