



MINIATURE, HYDRAULIC HIGH PRESSURE *Pressure Reducing Regulators*

6500 SERIES

PREMIER INDUSTRIES

1590 99th Ln NE,
Minneapolis, MN 55449
763-786-4020



MADE IN THE USA

Minneapolis, MN

DESCRIPTION

Premier 6500 Series pressure reducing regulators are your affordable and compact solution for high pressure hydraulic applications. These rugged, piston sensed regulators are designed to control inlet pressures up to 6000 PSIG (413.69 bar). They feature a wide range of field adjustable delivery pressure ranges up to 6000 PSIG (413.69 bar), and Cv: 0.06 or 0.2. With a variety of construction material options, porting configurations, hand-knob styles, and mounting options, you can be confident the Premier 6500 Series pressure reducing regulator will integrate seamlessly into your hydraulic application.

FEATURES

- Piston Sensed
- Main valve cartridge
- 3 knob styles: basic, fluted, and tee handle
- Machined bar stock body and piston eliminates porosity found in castings
- Rear mounting holes and threaded bonnet standard, optional panel mounting nuts available
- Lightweight nickel plated aluminum body standard
- Two, three, or four ¼" NPTF ports standard
- Non-venting
- Field adjustable outlet pressure ranges
- Minimal soft goods
- Compact and economically priced
- Optional tamper resistant acorn nut

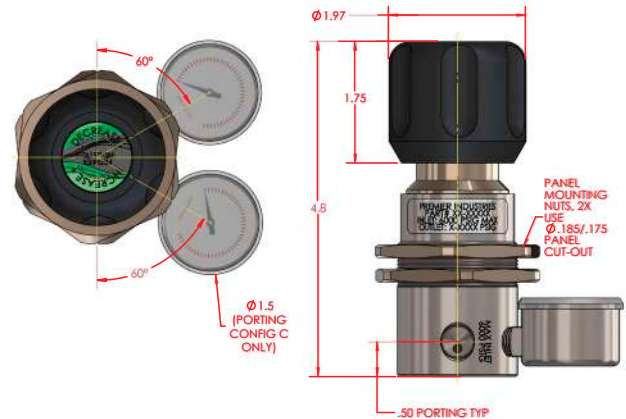
6500 SERIES

MINIATURE, HYDRAULIC HIGH PRESSURE *Pressure Reducing Regulators*



SPECIFICATIONS

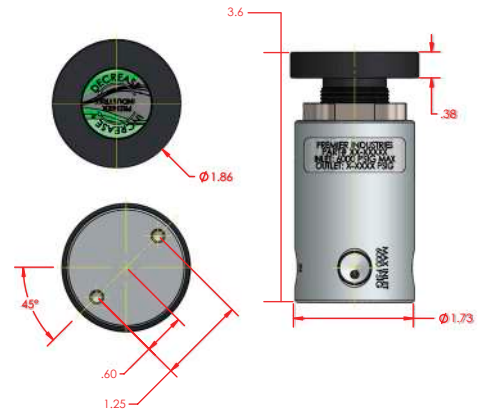
- **MAXIMUM INLET PRESSURE:**
 - 6000 PSIG (413.69 bar)
- **CONTROL PRESSURE RANGES:**
 - 0-80 PSIG (0-5.52 bar)
 - 0-140 PSIG (0-9.65 bar)
 - 0-220 PSIG (0-15.17 bar)
 - 5-700 PSIG (0.34-48.26 bar)
 - 5-1200 PSIG (0.34-82.74 bar)
 - 5-1800 PSIG (0.34-124.11 bar)
 - 5-2500 PSIG (0.34 - 172.37 bar)
 - 10-6000 PSIG (0.69-413.69 bar)
- **Cv:** 0.06 or 0.2
- **DESIGN PROOF PRESSURE:** 150% maximum rated
- **LEAK RATE:** Bubble tight N₂



(P/N: 50-12283-2CXXXX222 w/ fluted knob shown above)

MATERIALS OF CONSTRUCTION

- **BODY:**
 - 6061-T6 Aluminum, Nickel Plated (standard)
 - 303 Stainless Steel
 - 316 Stainless Steel
 - SAE 360 Brass/Nickel Plated
 - Monel®
- **WETTED PARTS:**
 - 316 Stainless Steel (with 316 stainless steel body option)
 - 300 Series Stainless Steel /
 - 17-4 Stainless Steel (with all other body options)
- **SEALS:**
 - Low-temperature nitrile (standard)
 - Nitrile
 - Viton®
 - EPDM
 - Neoprene
- **VALVE SEAT:**
 - PEEK® (standard)
 - Vespel®



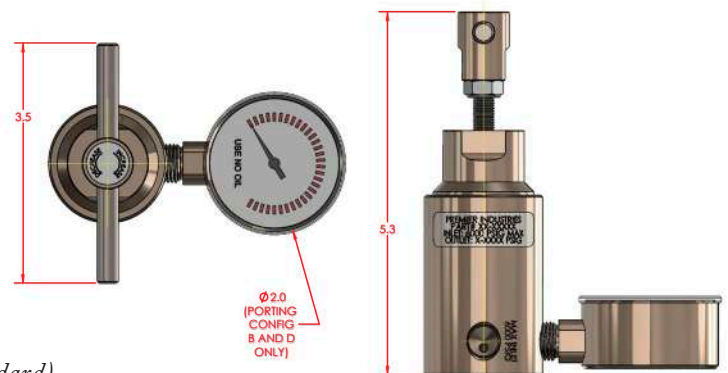
(P/N: 50-12283-1BXXXX110 w/ standard knob shown above)

PORTING

- **STANDARD INLETS:** 1/4" FNPT
- **STANDARD OUTLETS:** 1/4" FNPT
- **PORT OPTIONS:**
 - Two, three, or four port versions available

OPTIONAL ITEMS

- Gauges (plug): stainless steel for both stainless body options, chrome plated brass for all other options
- Basic handknob, fluted handknob, tee handle, or acorn nut
- Panel mounting nuts (threaded bonnet and mounting holes standard)
- CGA fittings
- Private label



(P/N: 50-12283-4DXXXX312 w/ tee handle shown above)



MINIATURE, HYDRAULIC HIGH PRESSURE *Pressure Reducing Regulators*



PART #	-	1	2	-	3	4	-	5	6	-	7	8	9
50-12283	-			-			-			-			

1	BODY MATERIAL & FINISH
1	6061-T6 Aluminum <i>Nickel Plated</i>
2	303 Stainless Steel <i>Clean per spec #515</i>
3	316 Stainless Steel <i>Clean per spec #515</i>
4	SAE 360 Brass <i>Nickel Plated</i>
5	Monel 400®
2	PORTING CONFIGURATIONS
A	
B	
C*	
D	

3	OUTLET PRESSURE
1	0-80 PSIG <i>(0 - 5.52 bar)</i>
2	0-140 PSIG <i>(0 - 9.65 bar)</i>
3	0-220 PSIG <i>(0 - 15.17 bar)</i>
4	5-700 PSIG <i>(0.34 - 48.26 bar)</i>
5	5-1200 PSIG <i>(0.34 - 82.73 bar)</i>
6	5-1800 PSIG <i>(0.34 - 124.12 bar)</i>
7	5-2500 PSIG <i>(0.34 - 172.37 bar)</i>
8	10-6000 PSIG <i>(0.69 - 413.69 bar)</i>
4	MAIN VALVE (Cv)
1	0.06 max
2	0.20 max
5	O-RING SEAL MATERIAL
1	Nitrile
2	Low-temp nitrile
3	Viton®
4	EPDM
5	Neoprene

6	SEAT MATERIAL
4	PEEK®
5	Vespel®
7	HAND KNOB
1	Basic knob
2	Fluted knob
3	Tee handle
4	None ** locked / tamper resistant
8	MOUNTING <i>(threaded bonnet standard)</i>
1	Mounting holes
2	Panel mounting nuts & mounting holes
9	GAUGES
0	None
2	Include gauges <i>(port config. "A" not available with gauges)</i>

PEEK is a registered trademark of Victrex PLC
Vespel and Viton are registered trademarks of E.I. du Pont de Nemours & Company. Monel® is a registered trademark of Special Metals Corporation.

* All ports are 1/4" FNPT unless otherwise indicated on the porting configurations.

****TAMPER RESISTANT ACORN NUT**

THE END USER IS RESPONSIBLE TO SPECIFY A PRESET OUTLET PRESSURE. IF AN OUTLET PRESSURE IS NOT SPECIFIED, THE PRESSURE WILL BE LEFT UNSET. NEVER EXCEED THE MAXIMUM OUTLET PRESSURE SPECIFIED ON THE PART NUMBER.

Contact factory for material certifications. Fees may apply.